

4

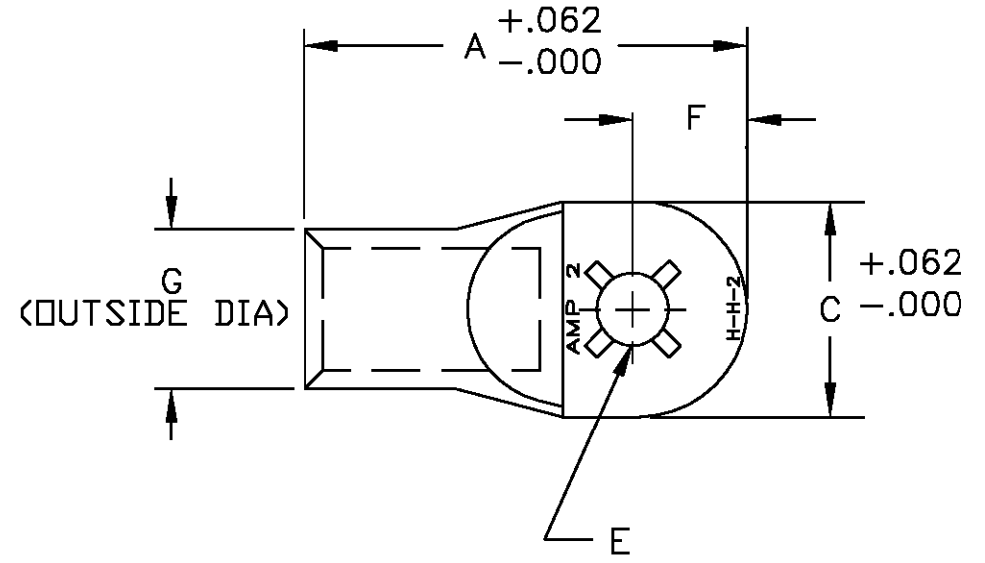
3

2

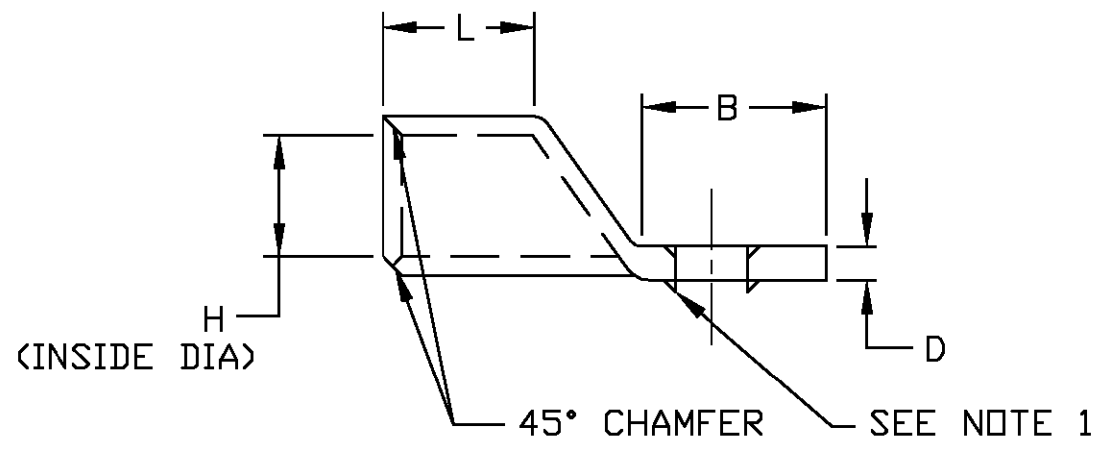
1

THIS DRAWING IS UNPUBLISHED. RELEASED FOR PUBLICATION .19
 © COPYRIGHT 19 BY AMP INCORPORATED. ALL RIGHTS RESERVED.

LOC	DIST	REVISIONS			
P	LTR	DESCRIPTION	DATE	DWN	APVD
AA	27	B	REDWN & REV; OG1Z-0042-99	12MAY00	LH LS



1. LOCKING LANCE FOR -3 ONLY.



.375	.75	.375	.516	.438	Ø.391	.135	.750	1.00	2.14	606290-5
.500	.75	.375	.516	.500	Ø.516	.135	.859	1.150	2.25	606290-4
.375	.75	.375	.516	.438	Ø.391	.135	.719	1.00	2.14	606290-3
.312	.75	.375	.516	.438	Ø.328	.135	.719	.94	2.14	606290-2
.250	.75	.375	.516	.438	Ø.266	.135	.719	.94	2.14	606290-1
BOLT HOLE SIZE	L	H	G	F	E	D	C	B	A	PART NUMBER

THIS DRAWING IS A CONTROLLED DOCUMENT.

DIMENSIONS: INCHES	TOLERANCES UNLESS OTHERWISE SPECIFIED:	DWN L. HALL 18APR00	<p>AMP Incorporated Harrisburg PA 17105-3608</p> <p>AMP TUBULAR TERMINAL 2 AWG</p>
	0 PLC ± 1 PLC ± 2 PLC ±.02 3 PLC ±.005 4 PLC ±.0005 ANGLES ±.3°	CHK L.H. SMITH 12MAY00	
		APVD B. ANTHONY 12MAY00	
		PRODUCT SPEC	
MATERIAL HIGH CONDUCTIVITY WROUGHT COPPER	FINISH ELECTRO TIN PLATE	APPLICATION SPEC	<p>AMP TUBULAR TERMINAL 2 AWG</p> <p>AMP INCORPORATED</p>
		WEIGHT	<p>AMP TUBULAR TERMINAL 2 AWG</p> <p>AMP INCORPORATED</p>
		CUSTOMER DRAWING	<p>AMP TUBULAR TERMINAL 2 AWG</p> <p>AMP INCORPORATED</p>

SIZE A3 CAGE CODE 00779 DRAWING NO C=606290 RESTRICTED TO

SCALE NTS SHEET 1 OF 1 REV B